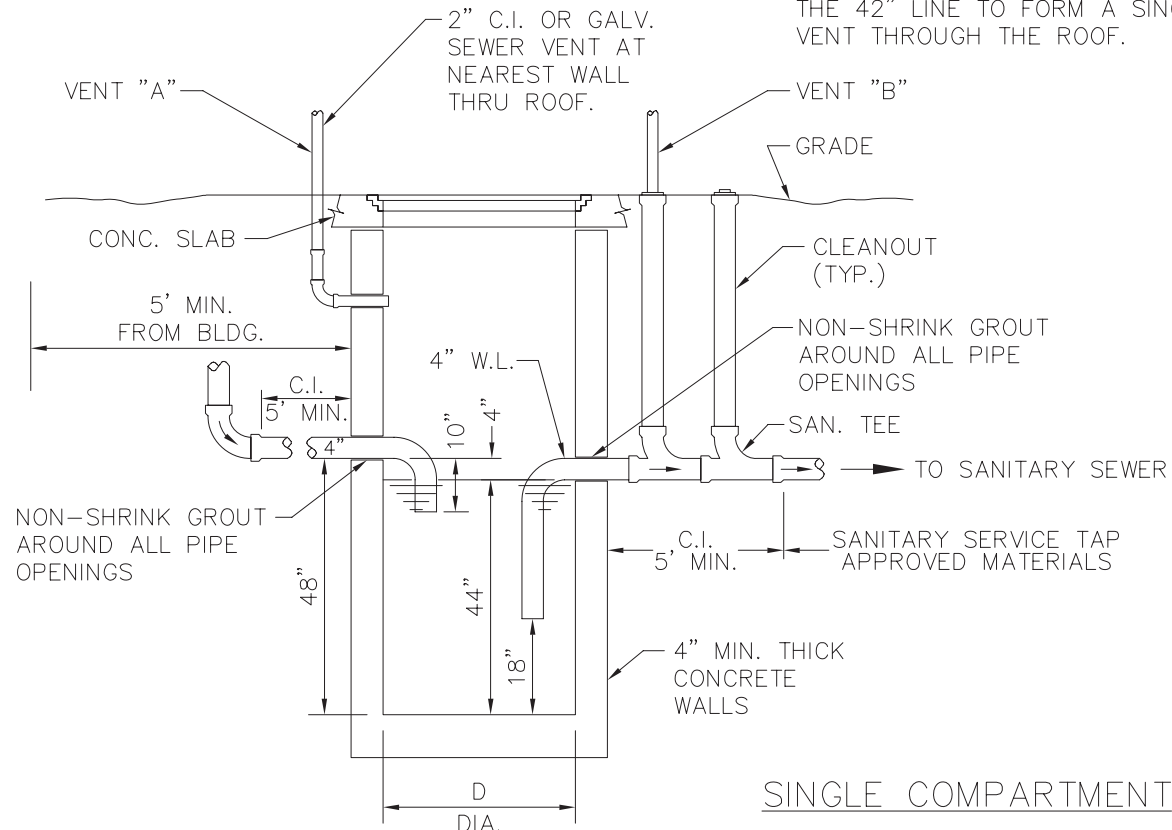


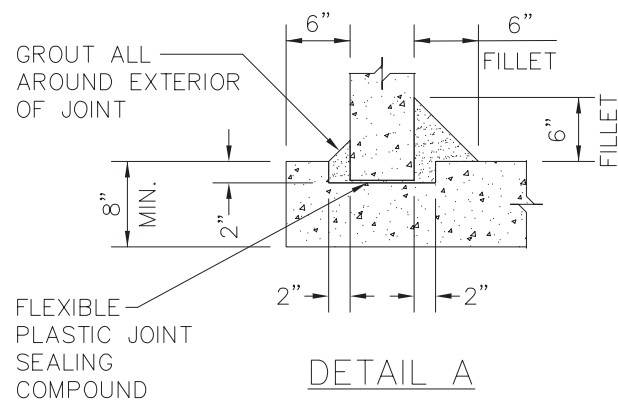
LOW RATE-SINGLE COMPARTMENT

VENT "A" MAY RISE A MINIMUM OF 42" ABOVE FIXTURE FLOOD LINE AND MAY COMBINE WITH VENT "B" ABOVE THE 42" LINE TO FORM A SINGLE VENT THROUGH THE ROOF.

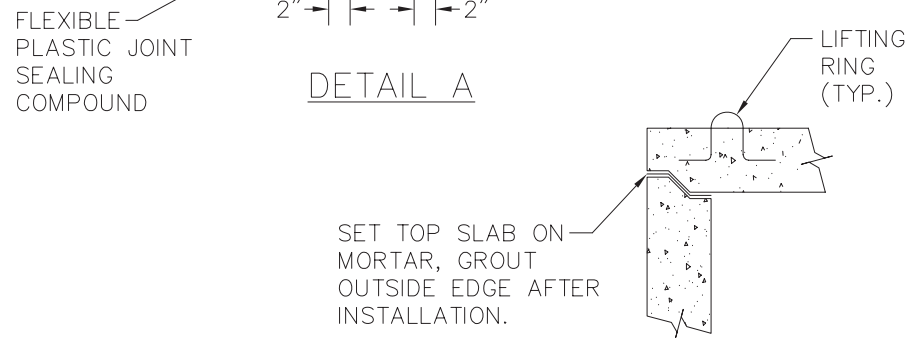


SINGLE COMPARTMENT

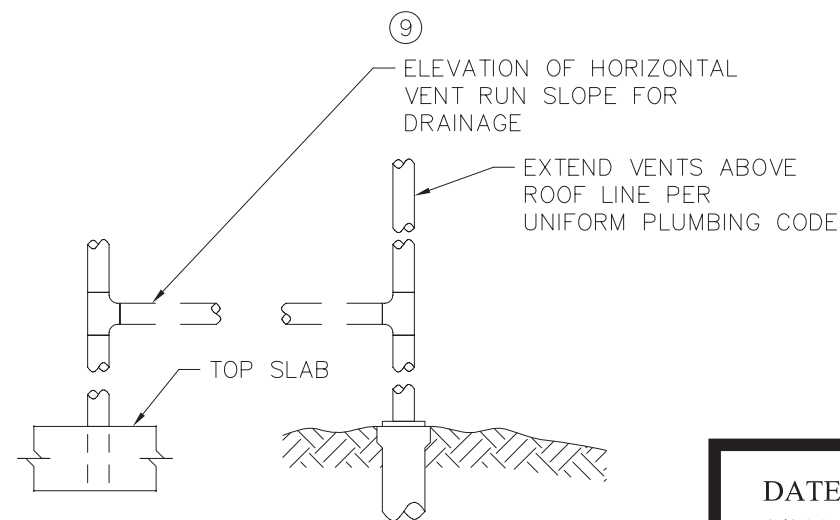
RATED CAPACITY	D
85 GALLON	24"
200 GALLON	36"



DETAIL A

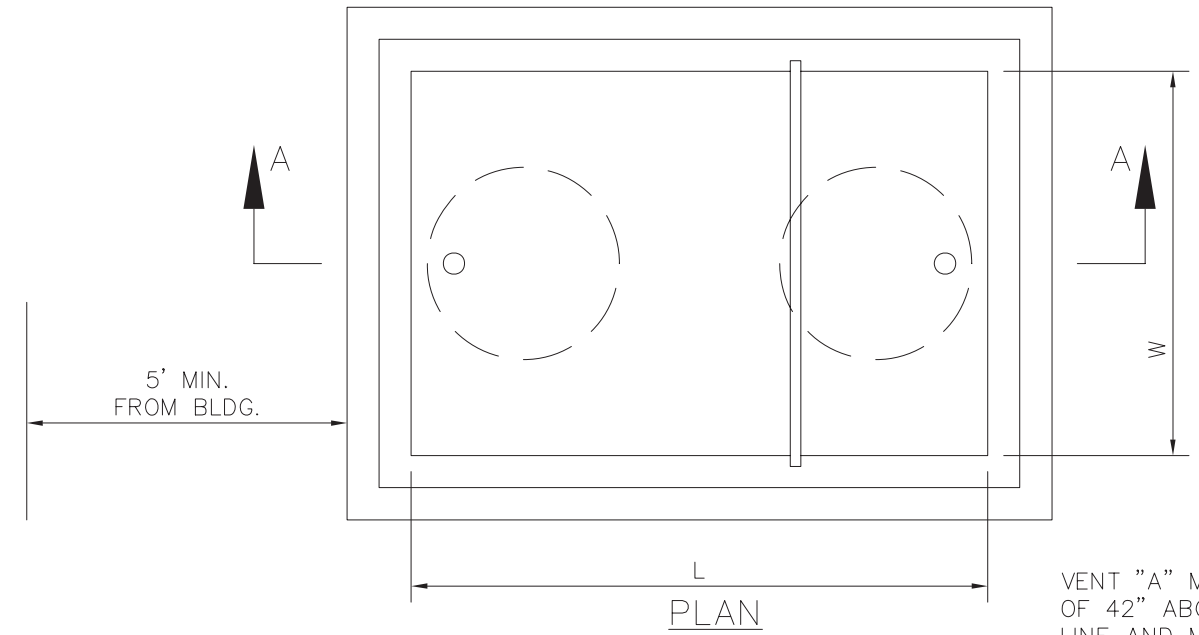


DETAIL B



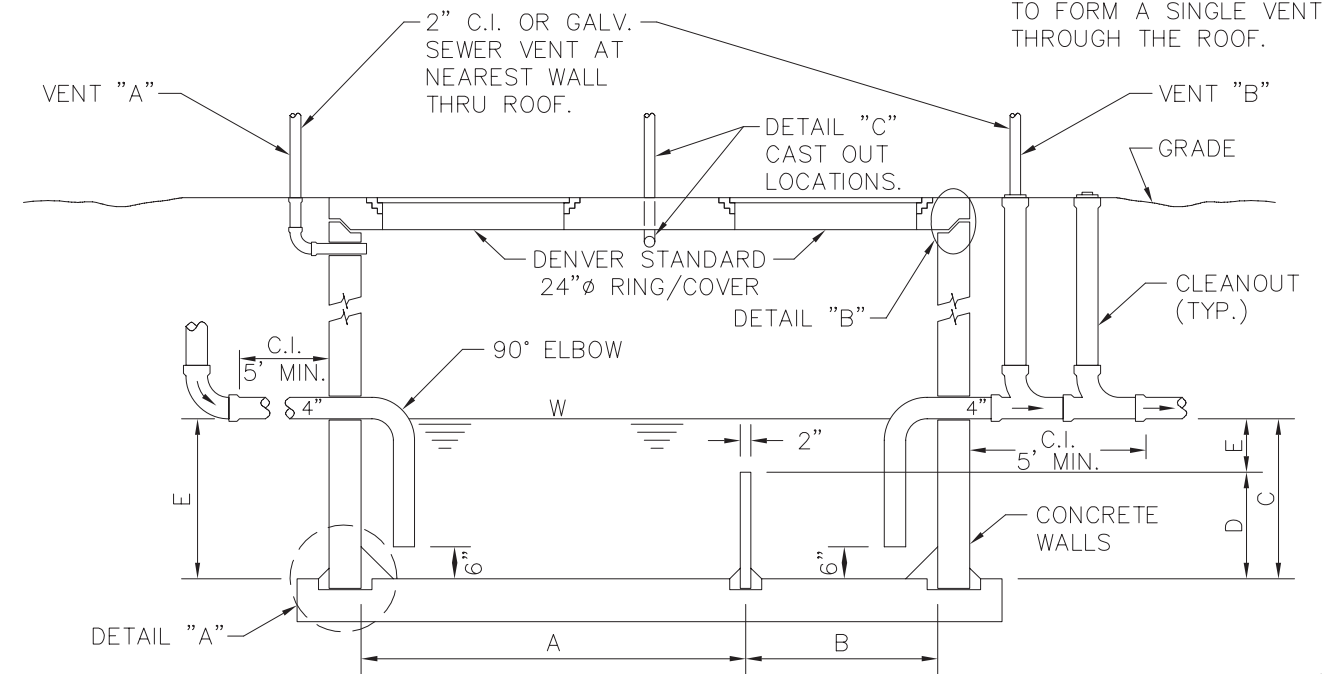
DETAIL C

HIGH RATE - DUAL COMPARTMENT



PLAN

VENT "A" MAY RISE A MINIMUM OF 42" ABOVE FIXTURE FLOOD LINE AND MAY COMBINE WITH VENT "B" ABOVE THE 42" LINE TO FORM A SINGLE VENT THROUGH THE ROOF.



SECTION "A-A"

DUAL COMPARTMENT

NOTE: F = C+2"
G = D-2"

RATED CAPACITY	L	W	A	B	C	D	E
750 GALLON	96"	48"	64"	32"	38"	25"	13"
1000 GALLON	108"	72"	72"	36"	30"	20"	10"
1500 GALLON	120"	72"	80"	40"	40"	27"	13"

DATE
9/2017

DRAWING
D.26S

PLATTE CANYON
WATER & SANITATION DISTRICT

LOW & HIGH RATE
SAND AND OIL
INTERCEPTOR